

# VISION LIFT HANDLE



The patented Vision Lift Handle operates all Vision™ latching systems. The handle is available with a push button, a tool operated insert, a round cylinder keyed to differ or keyed alike or prepared for a 40 mm profile cylinder or oval cylinder.

The handle is spring loaded and pops out when it is unlocked or the push button is pressed. Since the locking mechanism is not a part of the actual handle, it is very comfortable to operate.

Cylinders and inserts are covered by a sliding dust cover. IP65 waterproof according to NEMA 4.

## MATERIAL

**Dish:** Glass fibre reinforced polyamide (PA6GF30)

**Handle:** Zinc die cast, black powder coated

**Insert:** Zinc die cast, chrome plated

**Pivot shaft:** Zinc die cast, zinc plated

## RELATED PRODUCTS

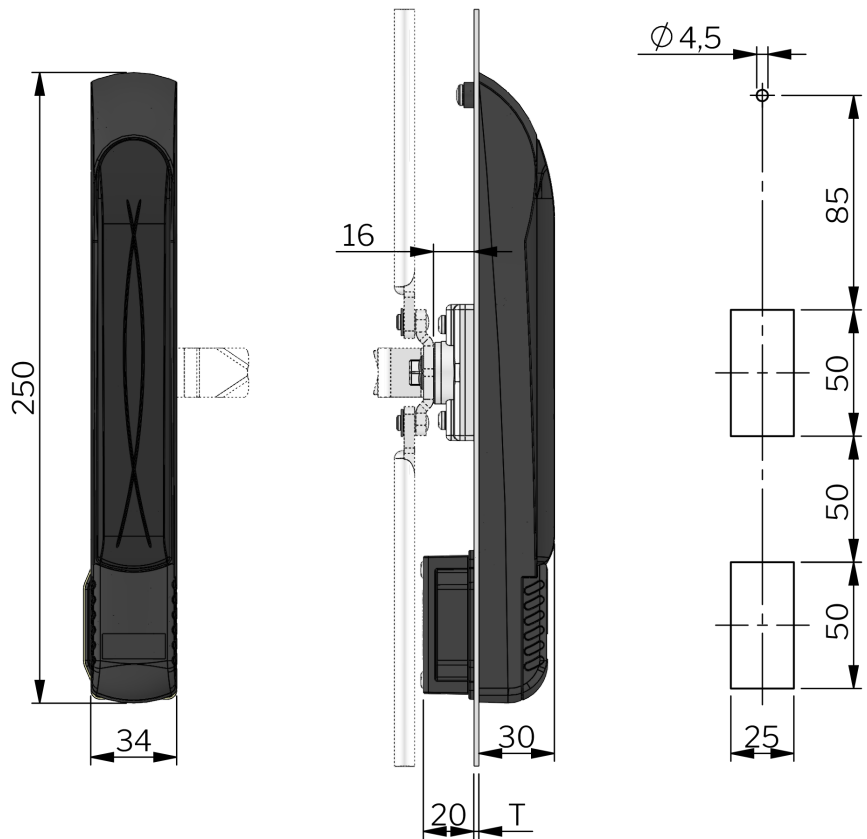
**Rod latch systems:** 1-008.04, 1-008.05, 1-008.21, 1-008.25, 1-008.07

**Cylinders:** 1-209, 1-210, 1-211, 1-010  
Use the Index Code at [industrilas.com](http://industrilas.com)

## TECHNICAL INFORMATION

The lift handle fits into a cut out similar to Version C, but with an additional  $\varnothing 4,5$  mm hole on top. Suitable for door thickness 0,8-3,5 mm. When viewed from the outside, the right hinged version has a pivot shaft that rotates counter-clockwise when opening. The left hinged version rotates clock-wise when handle is opened.

**Standards:** IP65, NEMA 4



**Make your selections in each column to create your article number (AAAA-BBCDEF-GG)**

AAAA	Type	BB	Insert / Cylinder	C	Surface treatment insert	D	Protection degree	E	Surface treatment handle	F	Model	GG
1510	Flat rod system	01	Square 6	0	For cylinder and push-button versions	5	IP65			0	For right hinged door	00
1511	Cam and round rod system	03	Square 7	2	Chrome plated				6	Black powder coated	1	For left hinged door
		05	Square 8									
		07	Square 8 / slotted									
		11	Square 8 / Recessed									
		14	Triangle 7									
		15	Triangle 8									
		16	Triangle 10									
		22	Double Bit 3									
		24	Double Bit 5									
		26	Slotted									
		29	Slotted, recessed									
		32	Hexagon 11									
		34	Recessed hexagon 8									
		35	Recessed hexagon 10									
		36	Recessed hex 8/3mm pin									
		80	Keyed to differ									
		81	Keyed alike IL101									
		82	Keyed alike IL0333									
		83	For profile cylinder									
84	For Oval Cylinder											
90	Push button											

